



*Aqua Pro Pump Systems*  
a Tomiko Inc. Company

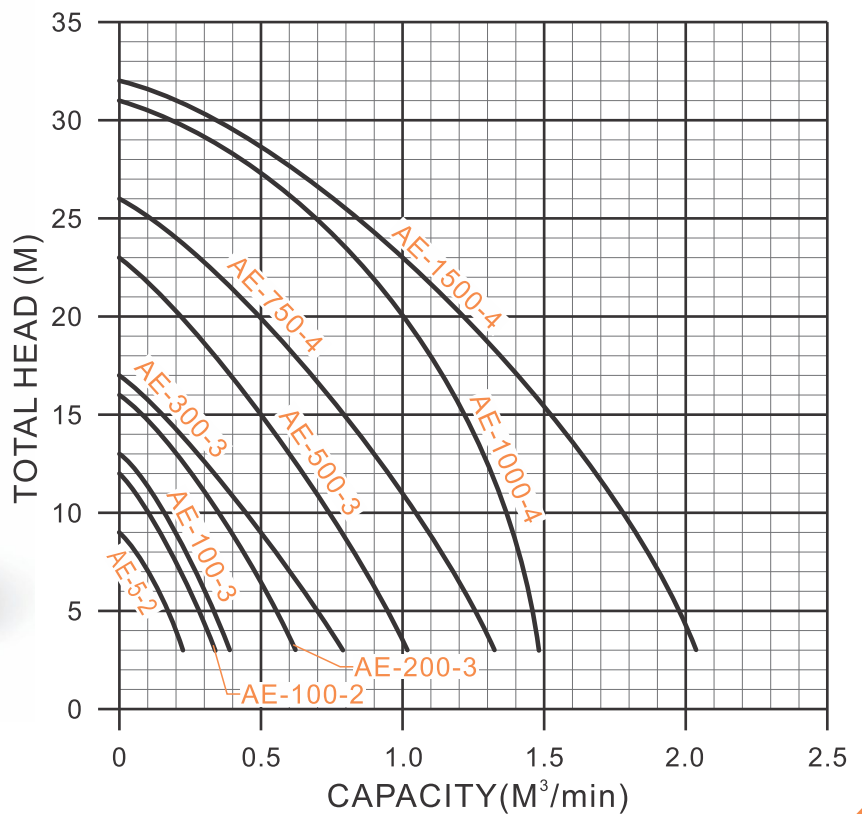
## High Head & Effluent Submersible Pumps

APPS high head submersible effluent pumps are designed to be used in a variety of applications and offer long life with their added features.

### Benefits:

APPS benefits and added features include bimetal thermal overload, stainless steel motor casing, dual mechanical seals with oil chamber, double roller bearings, seal probe port, air relief port, and longer cable, pump is enclosure with IP68 Standard.

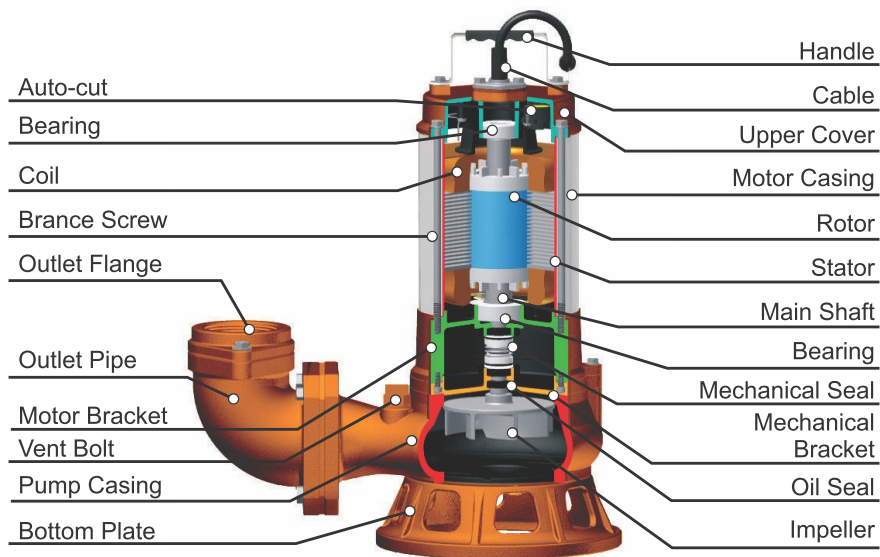
PERFORMANCE CURVE



## SPECIFICATION

Model	Frequency (HZ)	PH	Voltage	Power HP / KW	Discharge (Inch)	Speed (P/rpm)	Std.Head (M)	Max Flow (M <sup>3</sup> /min)	Std.Head (M)	Max Flow (M <sup>3</sup> /min)	Solids Passage (mm)	Cord Length (M)
AE-5/15-2-(A)	50	1	220V	0.5 / 0.4	2"	2P/2850	4	0.2	9	0.27	35	5
AE-5/35-2	50	3	380V	0.5 / 0.4	2"	2P/2850	4	0.2	9	0.27	35	5
AE-100/15-2-(A)	50	1	220V	1 / 0.75	2"	2P/3850	7.5	0.2	12	0.40	35	5
AE-100/35-2	50	3	380V	1 / 0.75	2"	2P/2850	7.5	0.2	12	0.40	35	5
AE-100/15-3	50	1	220V	1 / 0.75	3"	2P/2850	6	0.3	13	0.45	35	5
AE-100/35-3	50	3	380V	1 / 0.75	3"	2P/2850	6	0.3	13	0.45	35	5
AE-200/15-3	50	1	220V	2 / 1.5	3"	2P/2850	6.5	0.5	16	0.70	40	8
AE-200/35-3	50	3	380V	2 / 1.5	3"	2P/2850	6.5	0.5	16	0.70	40	8
AE-300/35-3	50	3	380V	3 / 2.2	3"	2P/2850	9	0.5	17	0.90	45	8
AE-500/35-3	50	3	380V	5 / 3.7	3"	2P/2850	15	0.5	23	1.10	40	8
AE-750/35-4	50	3	380V	7.5 / 5.5	4"	2P/2850	11	1.0	26	1.40	50	10
AE-1000/35-4	50	3	380V	10 / 7.5	4"	2P/2850	20	1.0	31	1.50	50	10
AE-1500/35-4	50	3	380V	15 / 11	4"	2P/2850	23	1.0	32	2.10	50	10

## STRUCTURAL DRAWING



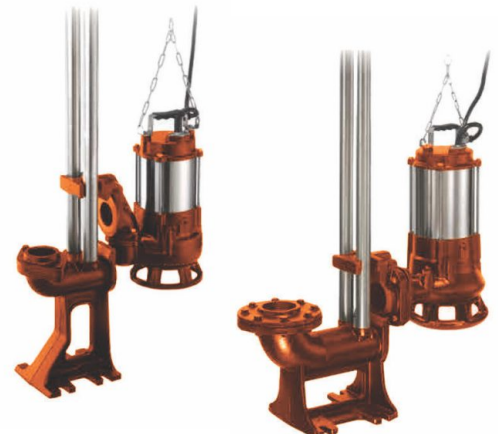
## MATERIALS OF CONSTRUCTION

Pump	Structure	Impler		Vortex Impeller
		Seal		Dual Mechanical Seal
	Material	Upper Cover		Cast Iron
		Bearing		Heavy-duty bearing
		Impeller		Cast Iron
		Bottom Plate		Cast Iron
		Volute Casing		Cast Iron
		Motor Bracket		Cast Iron
		Seal Bracker		Cast Iron
		Seal	Lubricant	
Motor Side			Carbon / Ceramic	
Pump Side			Silicon Carbide / Silicon Carbide	
Motor	Type		Submersible dry type	
	Insulation class		B CLASS (130C°) / F CLASS (7.5-15HP)	
	Frequency		50 Hz	
	Pole / Rotation (rpm)		2P / 2850	
	Phase / Volts		See specification	
	Inner protector		Thermal overload protection	
	Material	Casing		304 Stainless Steel
Main Shaft		420 Stainless Steel		
Cable		Standard VCT / Optional		

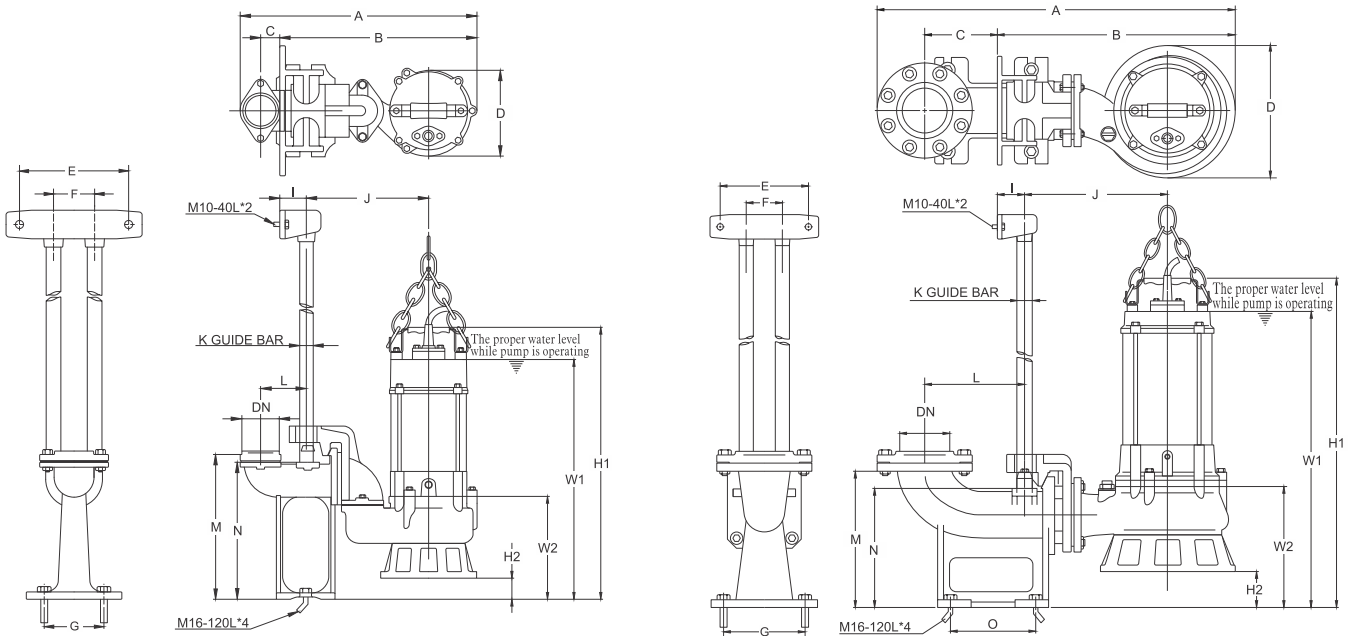
## APPLICATION

1. Storm water lift station, municipal storm water treatment plant.
2. Commercial storm water system.
3. Animal excrement, & farm waste system.
4. School, hospital, community storm water system.
5. Food, paper, mining, textile, leather in dusty water treatment system.

### WITH BASE ELBOW



## DIMENSION



Unit : mm

Pump Model	Part Number	DN	A	B	C	D	E	F	G	I	J	K	L	M	N	O	W1	W2	H1	H2
AE-5/15-2	BE200	2"	425	345	40	165	185	70	100	50	215	1"	90	275	255		400	180	465	45
AE-5/35-2	BE200	2"	425	345	40	165	185	70	100	50	215	1"	90	275	255		370	180	435	45
AE-100/15-2	BE200	2"	425	345	40	165	185	70	100	50	215	1"	90	275	255		430	180	495	45
AE-100/35-2	BE200	2"	425	345	40	165	185	70	100	50	215	1"	90	275	255		405	180	470	45
AE-200/15-3	BE300	3"	645	460	95	220	185	70	130	50	300	1"	145	305	275	135	515	170	580	10
AE-200/35-3	BE300	3"	585	400	95	220	185	70	130	50	235	1"	145	305	275	135	555	275	615	120
AE-300/35-3	BE300	3"	625	440	95	250	185	70	130	50	260	1"	145	305	275	135	580	275	650	110
AE-500/35-3	BE300	3"	625	440	95	250	185	70	130	50	260	1"	145	305	275	135	600	275	670	110
AE-750/35-4	BE400	4"	755	485	165	250	195	80	180	60	300	1 1/4"	225	290	240	170	585	230	660	70
AE-1000/35-4	BE400	4"	755	485	165	250	195	80	180	60	300	1 1/4"	225	290	240	170	605	230	680	70
AE-1500/35-4	BE400	4"	760	490	165	280	195	80	180	60	290	1 1/4"	225	290	240	170	670	265	760	75

**Contact *Aqua Pro Pump Systems* for custom built systems  
 with high pressure pump, VFD'S stainless steel headers *AND MORE!*  
 Visit us on the web at [tomikoinc.com](http://tomikoinc.com)**



**Phone 925.754.5686 Fax 925.754.5691**  
**Email [kathleen@aquapropumpsystems.com](mailto:kathleen@aquapropumpsystems.com)**  
**PO Box 8056, Pittsburg, CA 94565**