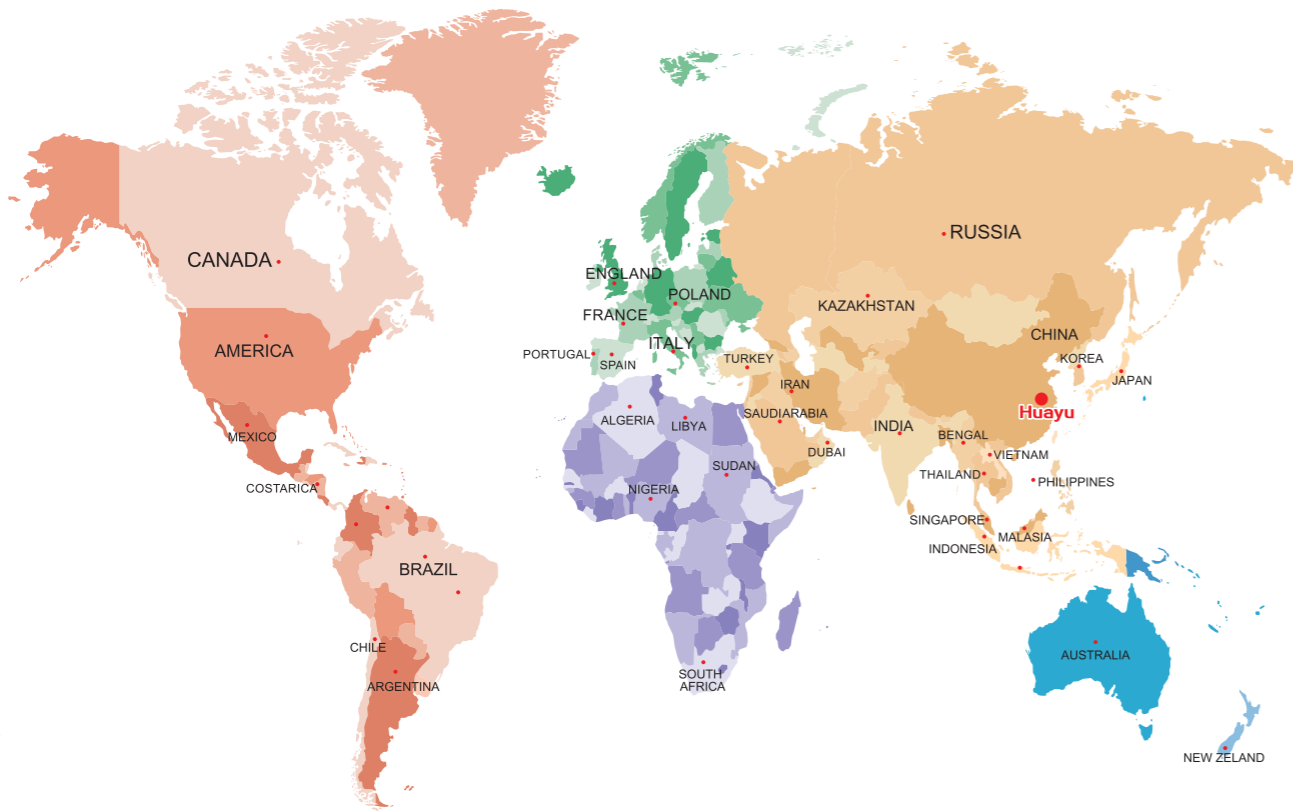


我们的产品已出口至全球60多个国家和地区

OUR PRODUCTS HAS BROADLY MARKETED IN 60 COUNTRIES AND REGIONS
ALL OVER THE WORLD



产品手册 CATALOG

江苏开能华宇环保设备有限公司
Canature HuaYu Environmental Products Co.,Ltd.

江苏省宜兴市高塍镇北工业区(214214)
Industrial Zone of North Gaocheng, Yixing Jiangsu, China(214214)
Tel:+86-510-87835768 87833860
Fax:+86-510-87833861
E-mail:sales@hytank.com
http://www.hytank.com

★因技术更新可能导致的数据变动，恕无事先通知。
Data may change without inform in advance due to update technology.

江苏开能华宇环保设备有限公司
Canature HuaYu Environmental Products Co.,Ltd.



江苏开能华宇环保设备有限公司
Canature HuaYu Environmental Products Co.,Ltd.

品质 服务 专业 专心
Quality Service Professional Focus

江苏开能华宇环保设备有限公司位于世界闻名环保之乡——高塍镇，是由原江苏华宇环保设备有限公司、江苏华宇杰明玻璃钢容器有限公司、迪拜杰明国际贸易公司与上海开能环保设备有限公司合作组建的水处理容器及配件专业生产企业，注册资本1500万，主要生产销售水处理设备及相关环保设备配件，包括玻璃钢罐、盐箱、加药箱、储水箱及布水器、过滤器、软水器、隔膜阀、控制器等。经过近二十年的发展，现已成为玻璃钢压力桶全系列产品的专业生产制造及销售企业。

公司在华东、华北、华南分别拥有江苏宜兴、河北廊坊、广东东莞三个生产基地，按客户的需要，分别生产不同系列的玻璃钢压力桶。目前已全面通过ISO9001质量管理体系认证，所生产的华宇牌玻璃钢罐获得了省高新技术产品称号，拥有十多项专利技术，并已通过美国NSF、欧盟CE等多项安全及环保认证，产品在满足国内市场的同时，还出口至全球五大洲。

随着与上海开能环保的合作，我们将依托开能的强大品牌、研发、资金实力，凭借江苏华宇的产品制造、运营成本、地域覆盖、销售整合优势，在现有产品基础上不断推出覆盖民用、商用、工业净水乃至污水处理新技术新设备，继续发扬“品质、服务、专业、专心”的华宇精神，以质量赢得市场，以诚信铸就品牌，更好的为客户服务。

Canature Huayu Environmental Products Co.,Ltd is located in Gaocheng Town which is famous for its industry of environment protection by all over the world. We are a professional water treatment products manufacturer which is incorporated by Huayu Environmental Products Co.,Ltd, Huayu Jieming FRP Vessels Co.,Ltd,Dubai Jieming International Trading Company, and Shanghai Canature Environmental Products Co.,Ltd. Our registered capital is 15 millions RMB. We are specializing in water treatment equipment and related accessories, including FRP tank, brine tank, dosing tank, water storage tank, water distributor, water filter, water softener, diaphragm valve, controller etc. With 20 years' development, we have been engaged in production, manufacture and marketing of whole series of FRP pressure tank.

Company owns 3 factories which are located in Yixing (Eastern China), Langfang (Northern China) and Dongguan(Southern China) and manufactures different series of FRP tank according to customer's requirements. Our company has passed ISO9001, And HuaYu brand FRP tanks have earned more than 10 patents, the provincial award of high-tech and have passed NSF and CE certification. While based upon domestic market, our products are widely sold to the whole world etc.

We will promote new technology and equipment used in residential, commercial and industrial purification filed, even in sewage treatment field continually based on existing product by relying on Shanghai Canature's strong strength in brand, R&D and capital and Jiangsu Huayu's integration advantage of manufacturing, operation cost, region coverage and marketing. We will continue to develop our spirit of quality, service, profession and focus to occupy the market by quality, establish our brand by integrity and offer better customer service.



ISO9001质量管理认证
ISO9001:2008



欧盟CE认证
CE Certification



美国NSF认证
NSF Certification



高新技术产品认定证书
National High-tech Product



高新技术企业
National High-tech Enterprise



涉水卫生许可批件
National Hygienic Permit





华宇牌玻璃钢水处理罐体生产线

公司现有全自动高效中空吹塑机4台、三工位滚塑机4台，全自动多工位缠绕机8台，注塑机10余台，可实现直径6-30英寸罐体年产50万只，直径36-83英寸罐体年产8万只，总产能可达到2亿元。

6-83英寸全系列玻璃钢水处理罐现有不同型号80余种，所有产品均按照国际标准制造，并且已经通过NSF及CE认证。除了制造华宇品牌外，我们还可以为客户提供OEM服务。

HUAYU FRP PRESSURE TANK WORKSHOP

Now we have four sets of Automatic High-efficiency Hollow Blowing Machine, four sets of Three-positions Rotational Machine, Eight sets of Automatic Multi-position Winding Machine and more than Ten sets of Injection Molding Machine. With these machines, we can produce 500 thousand pieces FRP tanks from diameter 6 to 30 inches , 80 thousand pieces FRP tanks from diameter 36 to 83 inches per year. The total capacity can reach 200million RMB.

We have over 80 different sizes of pressure tanks from diameter 6 to 83 inch, all the products are made and tested according to international standard which have passed NSF and CE certification. We manufacture not only for our HuaYu brand, but also offer OEM service for our customers.



华宇牌玻璃钢水处理罐体 HuaYu FRP Pressure Tanks



- 一体成型PE内胆，高性能复合材料缠绕外壳。
- 直径6-72英寸全系列玻璃钢水处理罐体共80余种型号供您选择。
- 可选颜色有本色、蓝色、黑色、灰色和其他定制颜色。
- 全面通过美国NSF、欧盟CE认证。
- PE liner with FRP filament winding, high quality but competitive cost.
- Full choice of pressure tanks from 6"-72" in diameter and from 13"-110" in height.
- Available in natural, blue, black, gray and any other colors on request.
- NSF and CE certified.

技术参数

- 工作压力: 10.5Bar (150psi)
- 工作温度: 1-49°C (34-120°F)
- 最大真空度: 127mm Hg (5" Hg)
- 最低储运温度: -27°C (-17°F)

Operating Specifications

- Operating Pressure: 150 psi (10.5 Bar)
- Operating Temperature: 34-120°F(1-49°C)
- Max Vacuum : 5" Hg(127mm Hg)
- Lowest exposed Temperature : -17°F(-27°C)

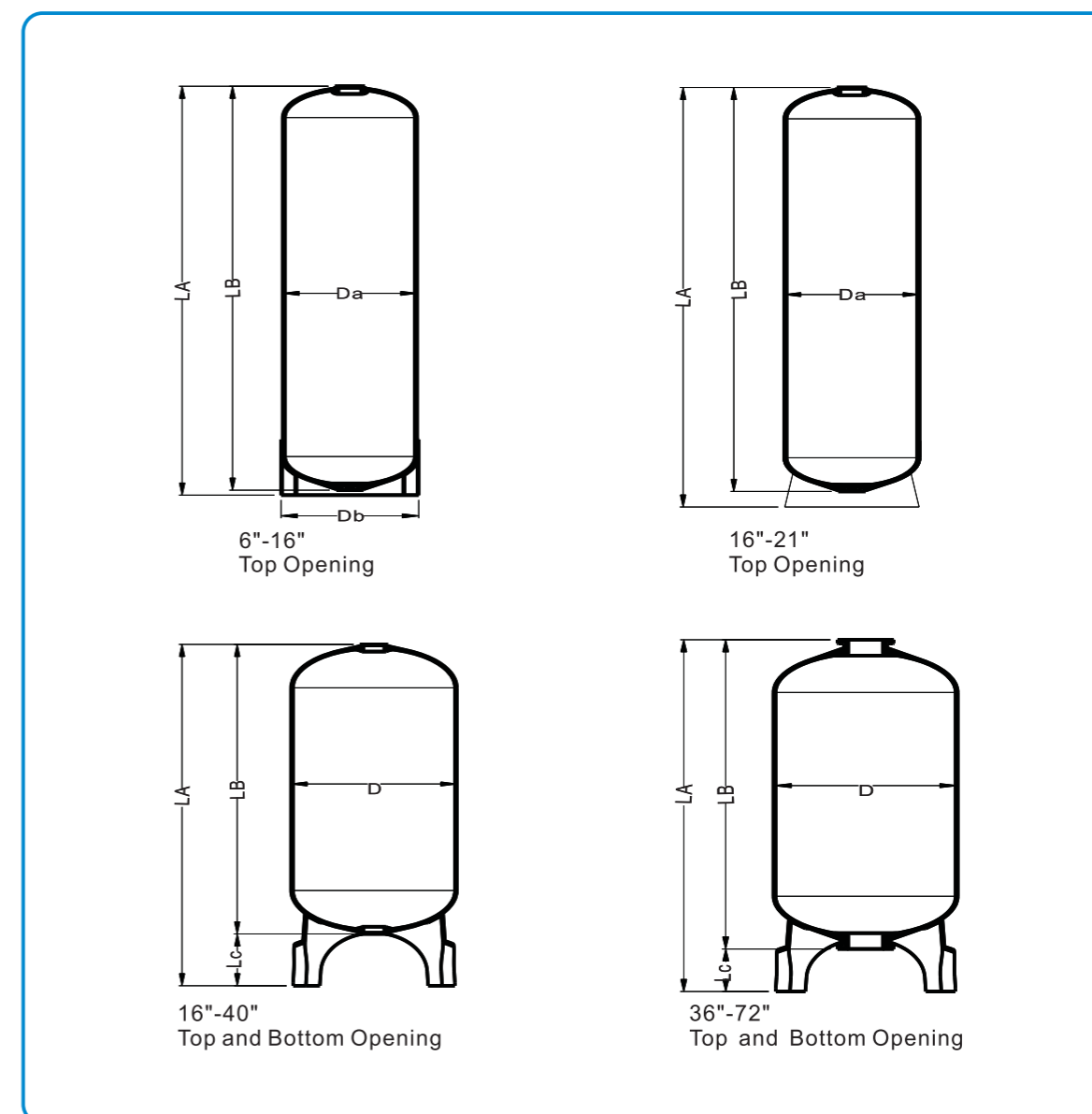
测试参数

- 10万次的0-150psi的疲劳循环测试
- 4倍(600psi)的爆破压力测试

Testing parameters

- Exceed 100,000 times of cycle test from 0-150psi with standing pressure.
- Burst test to 4 times(600psi) of its operating pressure.

简图 Diagrams



HY-S小罐系列规格表 HY-S TANK SPECIFICATION

型号 Model	罐体尺寸 Vessel Size		容积 Vol	罐开口 Opening		详细尺寸 Dimension/mm				底座 Base
	inch	mm		L	上 Top	下 Bot.	LA	LB	LC	
0613/2.5T	6×13	155×335	4.6	2.5"NPSM	/	335	330	/	155	PP Round
0617/2.5T	6×17	155×440	6.6	2.5"NPSM	/	440	435	/	155	PP Round
0635/2.5T	6×35	155×895	13.7	2.5"NPSM	/	895	890	/	155	PP Round
0713/2.5T	7×13	181×335	6.3	2.5"NPSM	/	335	330	/	181	PP Round
0717/2.5T	7×17	181×440	8.5	2.5"NPSM	/	440	435	/	181	PP Round
0735/2.5T	7×35	181×895	19.1	2.5"NPSM	/	895	890	/	181	PP Round
0744/2.5T	7×44	181×1125	24.3	2.5"NPSM	/	1125	1120	/	181	PP Round
0813/2.5T	8×13	205×335	7.4	2.5"NPSM	/	335	330	/	205	PP Round
0817/2.5T	8×17	205×440	10.5	2.5"NPSM	/	440	433	/	205	PP Round
0835/2.5T	8×35	205×895	23.6	2.5"NPSM	/	895	888	/	205	PP Round
0844/2.5T	8×44	205×1125	31.3	2.5"NPSM	/	1125	1118	/	205	PP Round
0917/2.5T	9×17	232×440	13.2	2.5"NPSM	/	440	435	/	232	PP Round
0935/2.5T	9×35	232×898	31.6	2.5"NPSM	/	898	890	/	232	PP Round
0942/2.5T	9×42	232×1074	38.5	2.5"NPSM	/	1074	1067	/	232	PP Round
0948/2.5T	9×48	232×1228	44.6	2.5"NPSM	/	1228	1221	/	232	PP Round
1017/2.5T	10×17	257×450	16.5	2.5"NPSM	/	450	430	/	257	PP Round
1035/2.5T	10×35	257×910	38.3	2.5"NPSM	/	910	890	/	257	PP Round
1044/2.5T	10×44	257×1130	49.5	2.5"NPSM	/	1130	1114	/	257	PP Round
1054/2.5T	10×54	257×1388	61.9	2.5"NPSM	/	1388	1370	/	257	PP Round
1248/2.5T	12×48	307×1220	77.3	2.5"NPSM	/	1220	1214	/	307	PP Round
1252/2.5T	12×52	307×1335	84.8	2.5"NPSM	/	1335	1328	/	307	PP Round
1265/2.5T	12×65	307×1650	106.3	2.5"NPSM	/	1650	1640	/	307	PP Round
1344/2.5T	13×44	334×1135	82.9	2.5"NPSM	/	1135	1127	/	334	PP Round
1354/2.5T	13×54	334×1400	103.6	2.5"NPSM	/	1400	1392	/	334	PP Round
1465/2.5T	14×65	360×1662	145.6	2.5"NPSM	/	1662	1654	/	360	PP Round
1465/4T	14×65	360×1662	145.6	4"-8UN	/	1662	1654	/	360	PP Round
1665/2.5T	16×65	410×1670	187.7	2.5"NPSM	/	1670	1662	/	410	PP Round
1665/4T	16×65	410×1670	187.7	4"-8UN	/	1670	1662	/	410	PP Round
1665/4T4B	16×65	410×1830	187.7	4"-8UN	4"-8UN	1830	1650	180	410	FRP Tripod
1865/4T	18×65	465×1670	249	4"-8UN	/	1670	1660	/	465	FRP Round
1865/4T4B	18×65	465×1830	249	4"-8UN	4"-8UN	1830	1650	180	465	FRP Tripod

注：★因PE材料收缩系数，可导致实际尺寸有±1.2%左右的误差
The actual dimension may have ±1.2% error due to PE materials contraction coefficient

HY 大罐系列规格表 HY TANK SPECIFICATION

型号 Model	罐体尺寸 Vessel Size		容积 Vol	罐开口 Opening		详细尺寸 Dimension/mm				底座 Base
	inch	mm		L	上 Top	下 Bot.	LA	LB	LC	
2165/4T	21×65	550×1640	322	4"-8UN	/	1640	1590	/	550	圆形 FRP Round
2169/4T	21×69	550×1750	322	4"-8UN	/	1760	1590	/	550	三脚 FRP Tripod
2169/4T4B	21×69	550×1750	322	4"-8UN	4"-8UN	1760	1575	185	550	三脚 FRP Tripod
2176/4T	21×76	550×1910	326	4"-8UN	/	1910	1600	320	550	三脚 FRP Tripod
2176/4T4B	21×76	550×1910	326	4"-8UN	4"-8UN	1910	1590	320	550	三脚 FRP Tripod
2468/4T	24×68	615×1735	427	4"-8UN	/	1735	1690	/	615	圆形 FRP Round
2472/4T	24×72	615×1850	427	4"-8UN	/	1850	1690	/	615	三脚 FRP Tripod
2472/4T4B	24×72	615×1850	427	4"-8UN	4"-8UN	1850	1680	170	615	三脚 FRP Tripod
2485/4T	24×85	615×2150	471	4"-8UN	/	2150	1830	/	615	三脚 FRP Tripod
2485/4T4B	24×85	615×2150	471	4"-8UN	4"-8UN	2150	1830	320	615	三脚 FRP Tripod
3068/4T	30×68	780×1730	690	4"-8UN	/	1730	1690	/	780	圆形 FRP Round
3072/4T	30×72	780×1850	690	4"-8UN	/	1850	1690	/	780	三脚 FRP Tripod
3072/4T4B	30×72	780×1850	690	4"-8UN	4"-8UN	1850	1680	175	780	三脚 FRP Tripod
3085/4T	30×85	780×2150	758	4"-8UN	/	2150	1830	/	780	三脚 FRP Tripod
3085/4T4B	30×85	780×2150	758	4"-8UN	4"-8UN	2150	1830	320	780	三脚 FRP Tripod
3087/6T6B	30×87	780×2200	728	6"-flange	6"-flange	2200	1935	265	780	三脚 FRP Tripod
3672/4T4B	36×72	918×1850	850	4"-8UN	4"-8UN	1850	1610	240	918	三脚 FRP Tripod
3685/4T4B	36×85	918×2150	1023	4"-8UN	4"-8UN	2150	1830	320	918	三脚 FRP Tripod
3689/6T6B	36×89	918×2260	1023	6"-flange	6"-flange	2260	1940	320	918	三脚 FRP Tripod
3694/6T6B	36×94	918×2400	1205	6"-flange	6"-flange	2400	2140	260	918	三脚 FRP Tripod
4072/4T4B	40×72	1020×1850	1046	4"-8UN	4"-8UN	1850	1605	245	1020	三脚 FRP Tripod
4094/6T6B	40×94	1020×2400	1332	6"-flange	6"-flange	2400	2155	225	1020	三脚 FRP Tripod
4272/6T6B	42×72	1088×1850	1100	6"-flange	6"-flange	1850	1615	235	1088	三脚 FRP Tripod
4289/6T6B	42×89	1088×2270	1389	6"-flange	6"-flange	2270	1950	320	1088	三脚 FRP Tripod
4872/6T6B	48×72	1218×1850	1308	6"-flange	6"-flange	1850	1565	285	1218	三脚 FRP Tripod
4889/6T6B	48×89	1218×2270	1743	6"-flange	6"-flange	2270	1950	320	1218	三脚 FRP Tripod
4894/6T6B	48×94	1218×2400	1909	6"-flange	6"-flange	2400	2110	290	1218	三脚 FRP Tripod
48110/6T6B	48×110	1218×2800	2306	6"-flange	6"-flange	2800	2510	290	1218	三脚 FRP Tripod

注：★因PE材料收缩系数，可导致实际尺寸有±1.2%左右的误差
The actual dimension may have ±1.2% error due to PE materials contraction coefficient

一体成型PE内胆带卸料口罐体 One-piece PE liner tank with discharge port

型号 Model	罐体尺寸 Vessel Size		容积 Vol L	罐开口 Opening		详细尺寸 Dimension/mm				底座 Base
	inch	mm		上Top	下 Bot.	LA	LB	LC	D	
6094/6T6B	60×94	1530×2400	2688	6"-flange	6"-flange	2400	2110	290	1530	三脚 FRP Tripod
60110/6T6B	60×110	1530×2800	3392	6"-flange	6"-flange	2800	2510	290	1530	三脚 FRP Tripod
6383/6T6B	63×83	1620×2100	2580	6"-flange	6"-flange	2100	1780	320	1620	三脚 FRP Tripod
6394/6T6B	63×94	1620×2400	3150	6"-flange	6"-flange	2400	2080	320	1620	三脚 FRP Tripod
★7294/6T6B	★72×94	1836×2400	3561	6"-flange	6"-flange	2400	2045	355	1836	三脚 FRP Tripod

注：★因PE材料收缩系数，可导致实际尺寸有±1.2%左右的误差
The actual dimension may have ± 1.2% error due to PE materials contraction coefficient



产品优势

相较于普通PE内胆罐体，填料卸出更方便；
相较于手糊卸料口罐体，品质更稳定，卫生状况更好。

Product Advantage

It is easier to discharge filling compared with normal PE liner tank;
Compared with tank with hand layup molding discharge port, it is more stable in quality and better in sanitary condition.

HY-H大罐系列规格表 HY-H TANK SPECIFICATION

型号 Model	罐体尺寸 Vessel Size		容积 Vol L	罐开口 Opening		详细尺寸 Dimension/mm				底座 Base
	inch	mm		上Top	下 Bot.	LA	LB	LC	D	
H2162/4T-R	21×62	550×1650	326	4"-8UN	/	1650	1600	/	550	圆形 FRP Round
H2162/4T	21×62	550×1910	326	4"-8UN	/	1910	1600	/	550	三脚 FRP Tripod
H2162/4T4B	21×62	550×1910	326	4"-8UN	4"-8UN	1910	1590	320	550	三脚 FRP Tripod
H2472/4T-R	24×72	615×1890	471	4"-8UN	/	1890	1839	/	615	圆形 FRP Round
H2472/4T	24×72	615×2150	471	4"-8UN	/	2150	1839	/	615	三脚 FRP Tripod
H2472/4T4B	24×72	615×2150	471	4"-8UN	4"-8UN	2150	1830	320	615	三脚 FRP Tripod
H3072/4T-R	30×72	780×1860	758	4"-8UN	/	1860	1839	/	780	圆形 FRP Round
H3072/4T	30×72	780×2150	758	4"-8UN	/	2150	1830	/	780	三脚 FRP Tripod
H3072/4T4B	30×72	780×2150	758	4"-8UN	4"-8UN	2150	1830	320	780	三脚 FRP Tripod
H3672/4T4B	36×72	918×2150	1023	4"-8UN	4"-8UN	2150	1830	320	918	三脚 FRP Tripod
H3672/6T6B	36×72	918×2260	1023	6"-flange	6"-flange	2260	1940	320	918	三脚 FRP Tripod
H4272/6T6B	42×72	1088×2270	1389	6"-flange	6"-flange	2270	1950	320	1088	三脚 FRP Tripod
H4872/6T6B	48×72	1218×2270	1743	6"-flange	6"-flange	2270	1950	320	1218	三脚 FRP Tripod
H6370/6T6B	63×70	1620×1780	2580	6"-flange	6"-flange	2100	1780	320	1620	三脚 FRP Tripod
H6383/6T6B	63×83	1620×2080	3150	6"-flange	6"-flange	2400	2080	320	1620	三脚 FRP Tripod

注：★因PE材料收缩系数，可导致实际尺寸有±1.2%左右的误差
The actual dimension may have ± 1.2% error due to PE materials contraction coefficient

HY-D大罐系列规格表 HY-D TANK SPECIFICATION

型号 Model	罐体尺寸 Vessel Size		容积 Vol L	罐开口 Opening			详细尺寸 Dimension/mm				底座 Base
	inch	mm		上Top	下 Bot.	卸 Dis.	LA	LB	LC	D	
4272/6T6B4D	42×72	1088×1850	1100	6"-flange	6"-flange	4"-flange	1850	1615	235	1088	三脚 FRP Tripod
4289/6T6B4D	42×89	1088×2270	1389	6"-flange	6"-flange	4"-flange	2270	1950	320	1088	三脚 FRP Tripod
4872/6T6B4D	48×72	1218×1850	1308	6"-flange	6"-flange	4"-flange	1850	1565	285	1218	三脚 FRP Tripod
4889/6T6B4D	48×89	1218×2270	1743	6"-flange	6"-flange	4"-flange	2270	1950	320	1218	三脚 FRP Tripod
4894/6T6B4D	48×94	1218×2400	1909	6"-flange	6"-flange	4"-flange	2400	2110	290	1218	三脚 FRP Tripod
48110/6T6B4D	48×110	1218×2800	2360	6"-flange	6"-flange	4"-flange	2800	2510	290	1218	三脚 FRP Tripod
6094/6T6B4D	60×94	1530×2400	2688	6"-flange	6"-flange	4"-flange	2400	2110	290	1530	三脚 FRP Tripod
60110/6T6B4D	60×110	1530×2800	3392	6"-flange	6"-flange	4"-flange	2800	2510	290	1530	三脚 FRP Tripod
6383/6T6B4D	63×83	1620×2100	2580	6"-flange	6"-flange	4"-flange	2100	1780	320	1620	三脚 FRP Tripod
6394/6T6B4D	63×94	1620×2400	3150	6"-flange	6"-flange	4"-flange	2400	2080	320	1620	三脚 FRP Tripod
★7294/6T6B6D	72×94	1836×2400	3561	6"-flange	6"-flange	6"-flange	2400	2045	355	1836	三脚 FRP Tripod
H4272/6T6B4D	42×72	1080×2270	1389	6"-flange	6"-flange	4"-flange	2270	1950	320	1088	三脚 FRP Tripod
H4872/6T6B4D	48×72	1218×2270	1743	6"-flange	6"-flange	4"-flange	2270	1950	320	1218	三脚 FRP Tripod
H6370/6T6B4D	63×70	1620×1780	2580	6"-flange	6"-flange	4"-flange	2100	1780	320	1620	三脚 FRP Tripod
H6382/6T6B4D	63×82	1620×2080	3150	6"-flange	6"-flange	4"-flange	2400	2080	320	1620	三脚 FRP Tripod

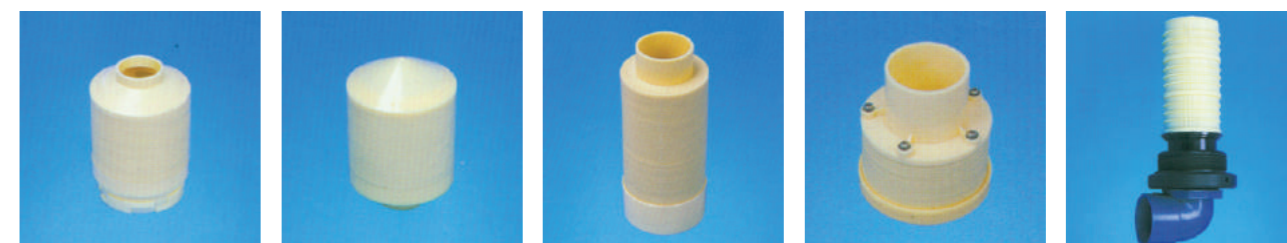
注：★因PE材料收缩系数，可导致实际尺寸有±1.2%左右的误差
The actual dimension may have ± 1.2% error due to PE materials contraction coefficient

HY 罐适配布水器规格表 HY distributor specification

序号 S.N.	罐体尺寸 Tank size.	上开口 Top	下开口 Bottom	上布水 Top distributor	下布水 Bottom distributor	中心管径 Central pipe
1	6-12"(150-300mm)	2.5"	/	H2805	H2807	3/4"
2	8-12"(200-300mm)	2.5"	/	H2809	H2810	3/4"
3	12-16"(300-400mm)	4"	/	HY7602	HY8602	1.5"
4	18"(450mm)	4"	/	HY7602	HY8602	1.5"
5	21"(550mm)	4"	/	HY7602	HY8621	1.5"
6	24"(600mm)	4"	/	HY7602	HY8624	1.5"
7	30"(750mm)	4"	/	HY7602	HY8630	1.5"
8	36"(900mm)	4"	/	HY7602	HY8636	1.5"
9	40"(1000mm)	4"	/	HY7602	HY8640	1.5"
10	36"(900mm)	6"FLG	/	特殊顶装布水器 Special top distributor	HY8636	3"
11	42"(1100mm)	6"FLG	/		HY8642	3"
12	48"(1200mm)	6"FLG	/		HY8648-1	3"
13					HY8648-2	
14	60"(1500mm)	6"FLG	/		HY8660-1	3"
15					HY8660-2	
16	63"(1600mm)	6"FLG	/		HY8663-1	3"
17					HY8663-2	
18	72"(1800mm)	6"FLG	/		HY8672	3"
特殊顶装布水器 Special top distributor						
19	H182B	配润新 (For Runxin Valve)				1.5"
20	H182AL	配FLECK 3150 (For FLECK 3150 Valve)				2"
21	H171	配FLECK 3900 (For FLECK 3900 Valve)				3"
	罐体尺寸 Tank size.	上开口 Top	下开口 Bottom	上布水 Top distributor	下布水 Bottom distributor	外接管径 External pipe
22	16"(400mm)	4"	4"	HY7401	HY8416	2"
23	18"(450mm)	4"	4"	HY7401	HY8418	2"
24	21"(550mm)	4"	4"	HY7401	HY8421	2"
25	24"(600mm)	4"	4"	HY7401	HY8424	2"
26	30"(750mm)	4"	4"	HY7401	HY8430	2"
27	36"(900mm)	4"	4"	HY7401	HY8436	2"
28	40"(1100mm)	4"	4"	HY7401	HY8440	2"
29	36"(900mm)	6"FLG	6"FLG	H7804	HY8836	3"
30	42"(1100mm)	6"FLG	6"FLG	H7804	HY8842	3"
31	48"(1200mm)	6"FLG	6"FLG	H7804	HY8848-1	3"
					HY8848-2	
32	60"(1500mm)	6"FLG	6"FLG	H7804	HY8860-1	3"
					HY8860-2	
33	63"(1600mm)	6"FLG	6"FLG	H7804	HY8863-1	3"
					HY8863-2	
34	72"(1800mm)	6"FLG	6"FLG	H7804	HY8872-2	3"

型号说明: HY □ □ □ □ -□-1代表单层、2代表双层 1-8 laterals; 2-16 laterals
Model Denote

— 适配罐型号 matching tank size (dia.in inch)
— 8代表侧装、6代表顶装、4代表4" 螺纹罐口 8-side mount; 6-top mount; 4-4"thead tank opening
— 7代表上布水器、8代表下布水器 7-top distributor; 8-bottom distributor
— 开能华宇 Canature HuaYu



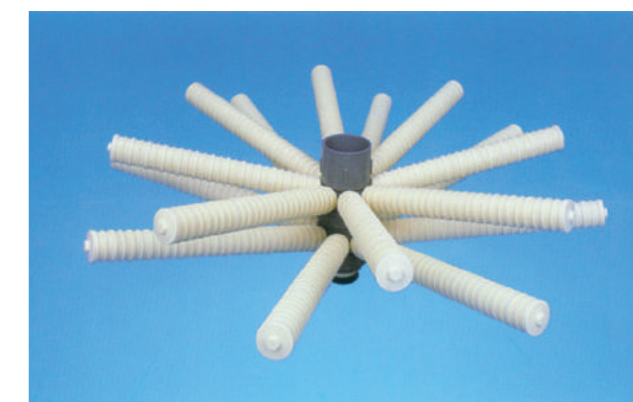
2203 2204 7602 8602 7401



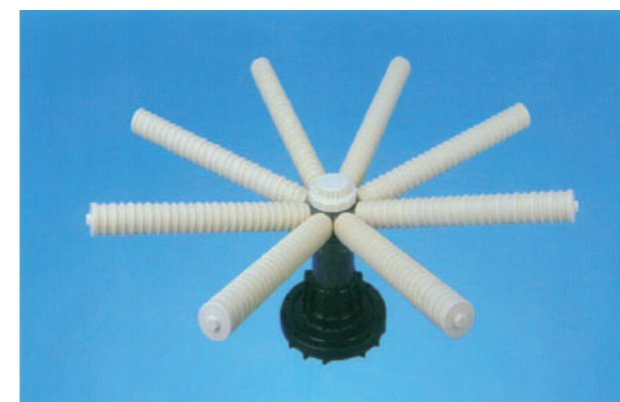
7804 7805 8621 8624 8630 8636 8821 8824 8830 8836



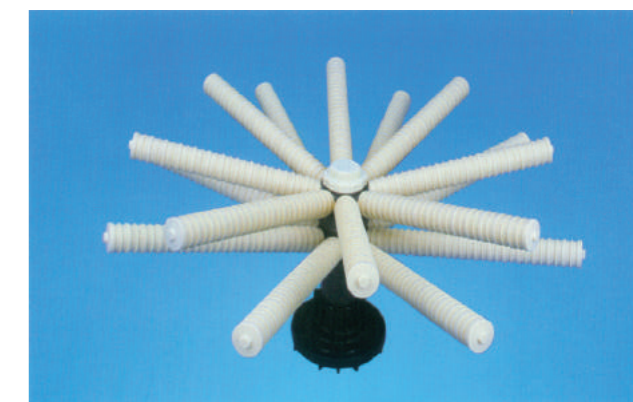
8636 8642 8648-1 8660-1



8648-2 8660-2



8836 8842 8848-1 8860-1



8848-2 8860-2 8863-2 8872-2

玻璃钢膜壳 FRP Membrane Housing



产品选型

- 1.连接类型：8040侧联、8040端联
4040侧联、4040端联
- 2.压力类型：150、300、450、600、800、1000;
- 3.长度类型：1至7芯；
- 4.外观着色：标准配置为白色，可根据客户要求定制；
- 5.特殊规格可定制。

技术要求

- 1.膜壳制造方法按JC692-1998标准；
- 2.膜壳设计压力为150、300、450、600、800、1000SPI；允许工作温度范围为-7°C~49°C；
- 3.膜壳渗透实验采用水压试验方法，测试压力为标准压力的1.5倍。

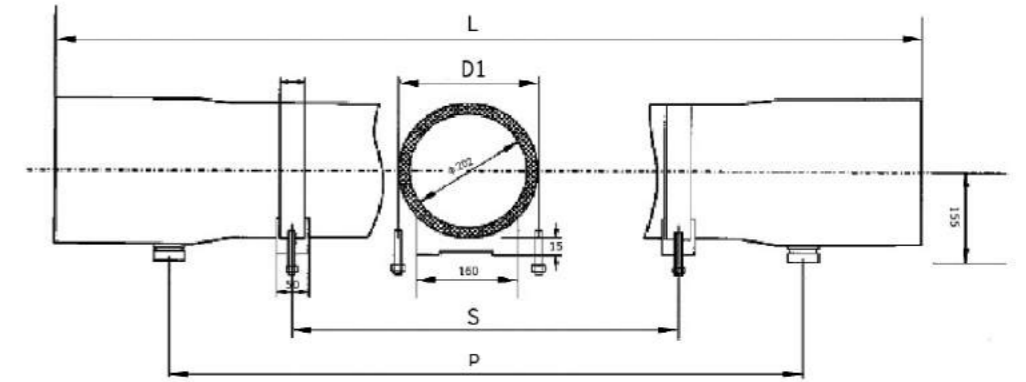
Product Selection:

- 1.Connection type: 8040 Side Port; 8040 End Port;
4040 Side Port; 4040 End Port;
- 2.The type of Pressure: 150, 300, 450, 600, 800, 1000PSI;
- 3.The type of length: 1-7 core;
- 4.The appearance of color: Standard configuration of color is white. Colors can also be customized according to customers' requirement;
- 5.Special specifications can be customized.

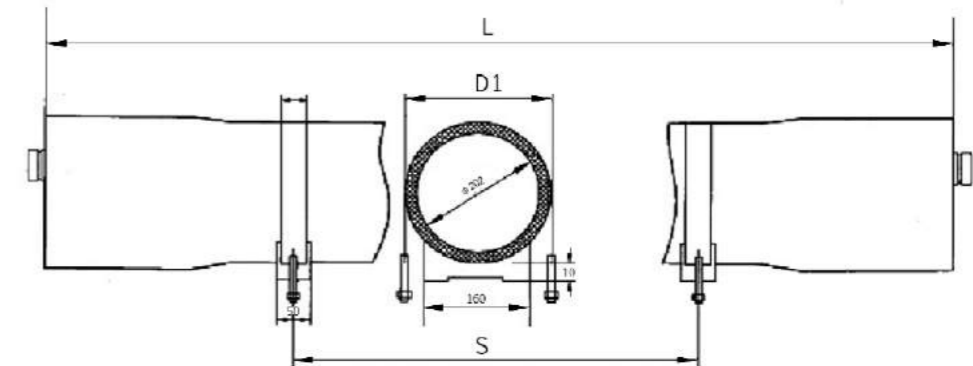
Technical Requirements:

- 1.The manufacturing method of FRP Pressure vessel (membrane housing) is in accordance with the standard JC692-1998;
- 2.Design for the Pressure of the FRP Pressure vessel (membrane housing) is 150,300,450,600,800,1000PSI. And the permitted scope of working temperature is -7°C~49°C;
- 3.The permeability test of the membrane housing with a way of using water pressure. The test pressure is 1.5 times of the standard pressure.

8''侧联反渗透膜壳安装示意图

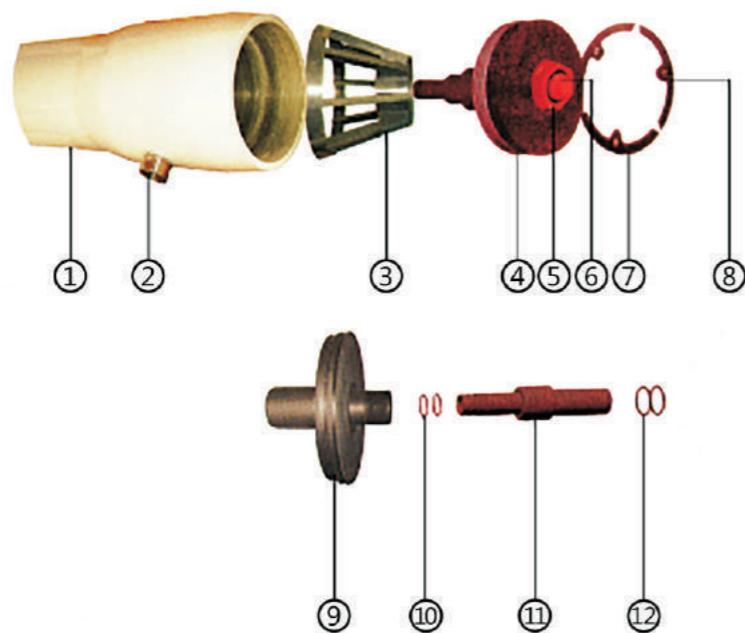


8''端联反渗透膜壳安装示意图



主要安装尺寸 INSTALLATION DIMENSIONS

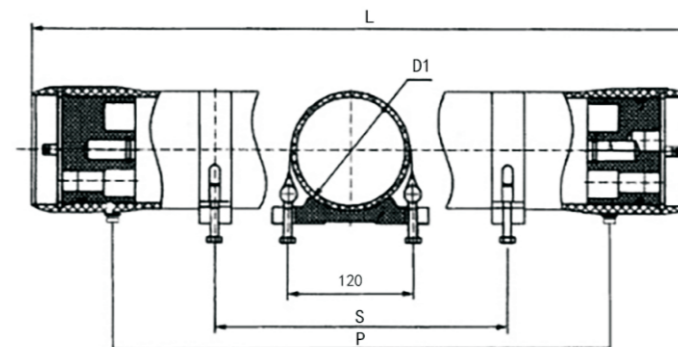
工作压力 Working pressure	节数 Elements	L	P	S	工作压力 Working pressure	节数 Elements	L	P	S
300PSI 450PSI 600PSI	1	1550	1180	700	800PSI 1000PSI 1200PSI	1	1630	1180	700
	2	2550	2200	1550		2	2620	2200	1550
	3	3560	3210	2250		3	3630	3210	2250
	4	4590	4250	1280×2		4	4660	4250	1280×2
	5	5600	5255	1800×2		5	5670	5255	1800×2
	6	6610	6265	2350×2		6	6680	6265	2350×2
	7	7622	7265	2150×3		7	7692	7265	2150×3



8' 玻璃钢容器封头名称材料
8' Part list

标注号(Ref.)	(Qty.)	零件名称 (PartName)	材料/备注 (Material)
1	1	压力壳体 (Pressure shell)	环氧玻璃钢/纤维缠绕 (FRP)
2	2	原/农水管 (Feed/concentrate Port)	不锈钢304 (Stainless steel 304)
3	1	止推环 (Thrust Ring)	ABS
4	2	支承板 (Bearing Plate)	铝合金 (Aluminum Alloy)
5	2	紧固螺母 (Fastening nut)	ABS
6	2	1"NPT堵头	ABS
7	6	挡块 (Locking Segment Screw)	铝合金 (Aluminum Alloy)
8	6	保安螺栓 (Locking Segment Screw)	不锈钢 (Stainless steel)
9	4	连体式密封板 (Unitary Sealing Plate)	尼龙 (ABS)
10	2	"O" 形圈 (O-ring)	三元乙丙橡胶 (EPDM)
11	4	适配器 (Adapter)	ABS
12	2	"O" 形圈 (O-ring)	三元乙丙橡胶 (EPDM)

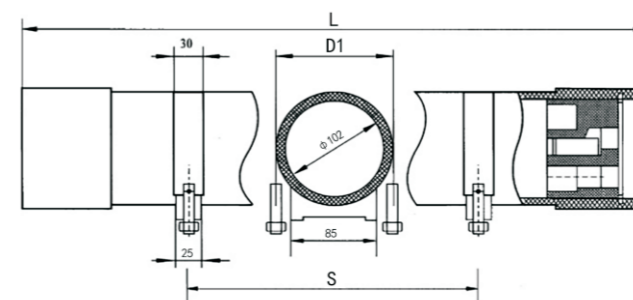
4' 侧联反渗透膜壳安装示意图



主要安装尺寸 INSTALLATION DIMENSIONS

工作压力 Working pressure	节数 Elements	L	P	S	工作压力 Working pressure	节数 Elements	L	P	S
300PSI	1	1175	1010	610	1000PSI	1	1270	1010	610
	2	2190	2025	1350		2	2265	2025	1350
	3	3220	3050	1960		3	3310	3050	1960
	4	4250	4040	1580*2		4	4320	4040	1580*2

4' 端联反渗透膜壳安装示意图



主要安装尺寸 INSTALLATION DIMENSIONS

工作压力 Working pressure	节数 Elements	L	S	工作压力 Working pressure	节数 Elements	L	S
300PSI	1	1115	610	600PSI	1	1165	610
	2	2130	1350		2	2150	1350
	3	3160	1960		3	3180	1960
	4	4170	1580*2		4	4190	1580*2
450PSI	1	1150	610	1000PSI	1	1190	610
	2	2130	1350		2	2190	1350
	3	3160	1960		3	3200	1960
	4	4170	1580*2		4	4210	1580*2

黑三通 Tank head

Type:9901



Type:9902



型号 Type	名称 Name	罐体开口 Tank opening	进出水口 In/Out	中心管径 Central Pipe
H9901	2.5" 黑三通Tank head	2.5"-8NPSM	G1"/NPT1"	3/4"
H9902	4" 黑三通Tank head	4"-8UN	G2"/NPT2"	1.5"

变径&闷盖 Adaptor&Closure



Type:9903



Type:9904



Type:9905



Type:9913



Type:9914

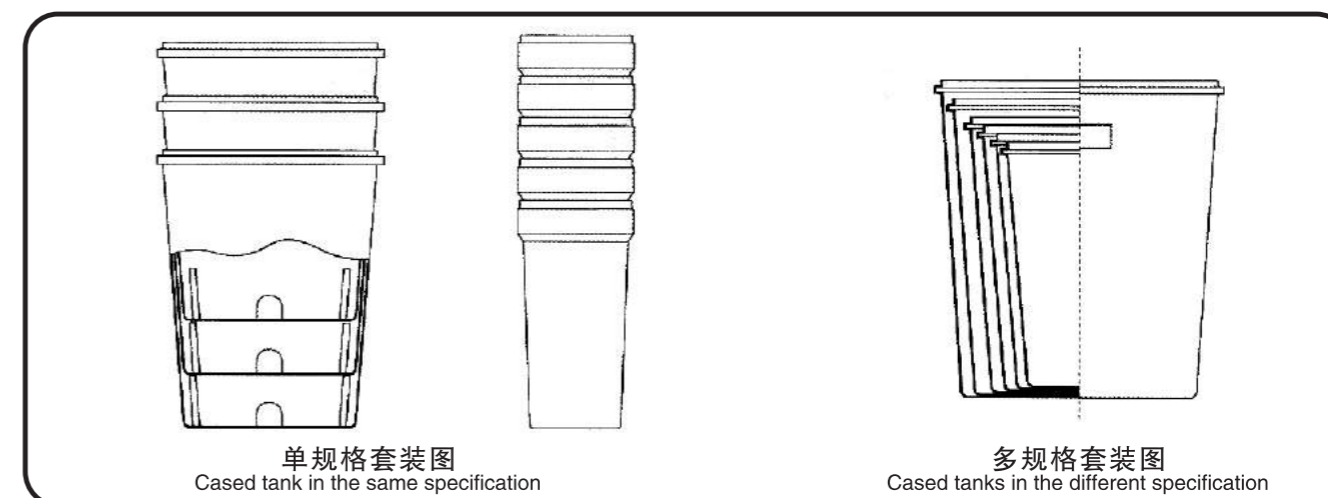
型号 Type	名称 Name	外接口 Outer	内接口 Inner
H9903	4"-2.5" 变径 (4"-2.5" Adaptor)	4"-8UN	2.5"-8NPSM
H9904	6"-4"变径 (6"-4" Adaptor)	6"-8UN	4"-8UN
H9905	6"-4"法兰变径 (6"FLG-4" Adaptor)	6"-Flange	4"-8UN
H9913	6"-4"法兰闷盖 (6"FLG Closure)	6"-Flange	/
H9914	4"闷盖 (4" Closure)	4"-8UN	/

溶盐桶 Brine Tank



新品特点 Advantages

1. 圆锥形桶体能够实现随意套装，可为用户节约50%以上的发货运费。
 2. 350~2000规格，大盖子上设有添加盐的小盖子，方便了用户使用。
 3. 350~2000规格，盐井管的上端加长至大盖子的顶端，使得盐液有效容量增加了15%以上。
 4. 新型外观设计、精密模具制造，大大提高了产品的品质。
1. Due to conic body, brine tanks can be packed one in one to any height, which saves over 50% freight for the buyers.
 2. For brine tanks 350 ~ 2000, each tank is designed with a small lid on a large cover. It is more convenient for user to put salt into the tank.
 3. For brine tanks 350 ~ 2000, the salt pipe in the tank is extended upward to the top of the large cover, so that the effective capacity of the salt solution is increased by over 15%.
 4. For new exterior design and precise mould, the quality of product has been greatly improved.



型号规格表 Models & Specifications

序号S/N	型号 Models	最大尺寸 Max.Dimensions(mm)	序号S/N	型号 Models	最大尺寸 Max.Dimensions(mm)
1	YT-15	φ 200 × H500	7	YT-350	φ 740 × H1275
2	YT-25	φ 250 × H520	8	YT-500	φ 840 × H1335
3	YT-60	φ 390 × H810	9	YT-750	φ 960 × H1395
4	YT-100	φ 450 × H940	10	YT-1000	φ 1080 × H1460
5	YT-145	φ 500 × H1060	11	YT-1500	φ 1240 × H1575
6	YT-200	φ 550 × H1160	12	YT-2000	φ 1360 × H1690

1.5"~6"/DN40~150V型隔膜阀

1.5"~6"/DN40~150V TYPE DIAPHRAGM VALVE



产品特点:

- ☆结构简单，水力性能优异
- ☆可靠的防腐性能
- ☆重量轻，价格低
- ☆维护量少，可靠性高

Features:

- ☆Simple structure, outstanding hydraulic performance
- ☆Reliable corrosive resistance
- ☆Competitive price
- ☆High reliability, minimum maintenance

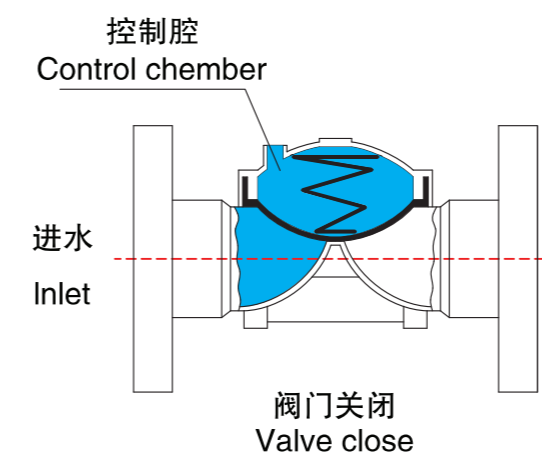
技术参数及外形尺寸 Specifications and dimension

型号 Model	规格 Size	阀体材质 Materials	工作压力 (Mpa) Working pressure	工作温度 (°C) Working Temp.	联接方式 Connection	外形尺寸 (L×W mm) Dimension
V15	DN40	PA66	≤1.0	0~50	法兰	235×130 Φ145
V20	DN50	PA66	≤1.0	0~50	法兰	235×140 Φ160
V25	DN65	PA66	≤1.0	0~50	法兰	250×155 Φ180
V30	DN80	PVC	≤1.0	0~50	法兰	330×235 Φ195
V40	DN100	PVC	≤1.0	0~50	法兰	385×258 Φ220
	DN100	PVC	≤1.0	0~50	法兰	362×208
V50	DN125	PVC	≤1.0	0~50	法兰	538×370
V60	DN150	PVC	≤1.0	0~50	法兰	435×370

V型隔膜阀

工作原理:

来水压力直接通过密封隔膜开关阀门，隔膜上腔有压时，隔膜切断进水关闭阀门；控制腔泄压时，利用来水压力自动顶开隔膜打开阀门。阀门唯一活动部件为增强橡胶隔膜，在水通路上没有阀轴、密封等，阀体采用PA66、PVC材料，可配合各种电磁阀、手动阀、减压阀等实现各处控制功能。

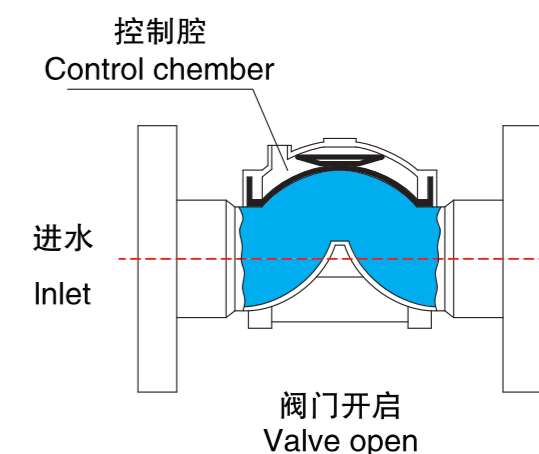


Diaphragm Valve

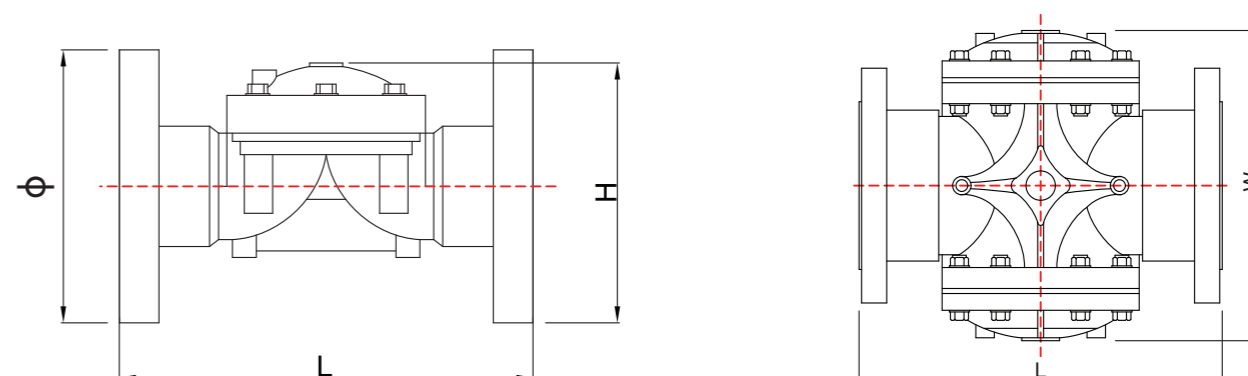
Working Principle

When Pressure (water or air) is introduced to the upper chamber of valve the diaphragm is pressed down, shutting off the valve. While the pressure is released from the upper chamber. The valve opens automatically by the pressure in inlet pipe.

The only moveable part of the valve is the reinforced rubber diaphragm. There are no shaft or seal parts among water route. The material of valve body is PA66 PVC Diaphragm valve can be used with solenoid valve, manual valve, pressure release valve etc. to realize various auto-control functions.



外形图 Outline



4"反冲洗阀 (两位三通阀)

4"Back Flushing Valve(2 position 3 ways)



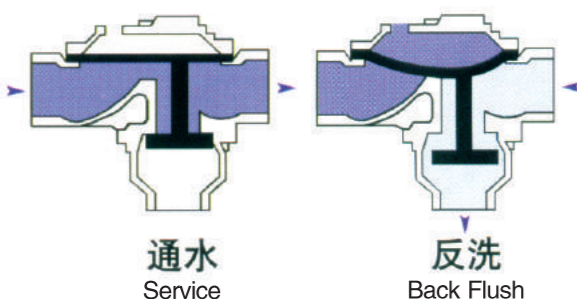
●特点:

- 结构简单, 安装容易
- 液动控制灵敏
- 最大程度减少切换摩擦
- 高可靠性
- 耐腐材质
- 迅速切换水流方向

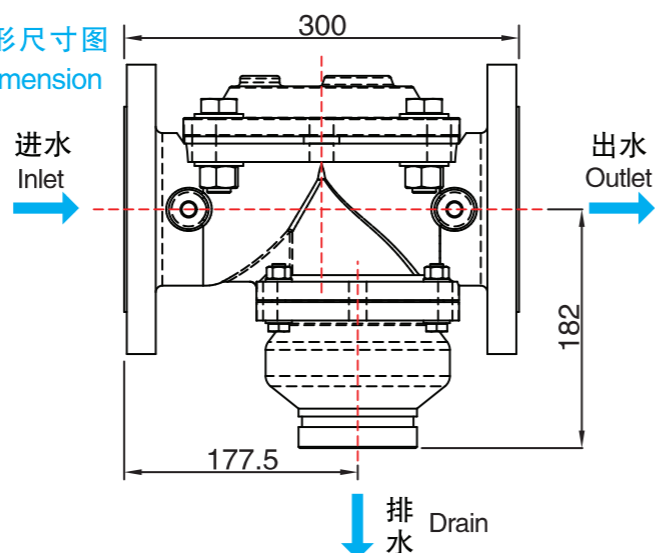
●Characteristic

- Simple structure, easy installation
- Sensitive flow control
- Minimum attrition while switch
- High reliability
- Anti-corrosive materials used
- Quick switch

工作原理
Working principle



外形尺寸图
Dimension



控制阀规格参数 Specifications

型号 Model	材质 Materials	进出口径/连接形式 In-out / connection	反洗排污口/连接形式 drain port / connection
T-4 × 3	铸铁 cast	DN100(4")法兰 flange	DN80(3")/卡口(外) victolic
			DN65(2.5")/BSP螺纹(内) BSP thread (inner)
T-4 × 4		DN100(4")法兰 flange	DN100(4")/卡口(外) victolic
			DN80(3")/BSP螺纹(内) BSP thread (inner)

JMA控制器

JMA stager controller

- 1、自动分步控制功能;
- 2、电源: 220VAC/50Hz 10W
- 3、远程信号连接: 2秒干接点
- 4、时间型启动;
- 5、8分步控制, 每步时间 5-9999秒;
- 6、手动强制启动;
- 7、信号灯显示运行状态
- 8、信号输出功能
- 9、控制传递介质: 水压, 或气压;
- 10、控制压力: 0.2-0.8 Mpa
- 11、工作温度: 4-55 °C
- 12、外形尺寸: 270x170x105mm



- 1、Automatic stager control function
- 2、Power supply: 220VAC/50HZ 10W
- 3、Remote control signal connection: 2 seconds dry contactor
- 4、Timer initiation setting
- 5、8 stages available with duration from 5 to 9999 seconds for each stage
- 6、Manually initiation
- 7、Service/regeneration Light indication
- 8、Step signal output function
- 9、Control fluid: hydraulic or pneumatic
- 10、Control fluid pressure: 0.2~0.8MPa
- 11、Working Temperature: 4~55°C
- 12、Enclosure size: 270 mm X 170 mm X 105 mm